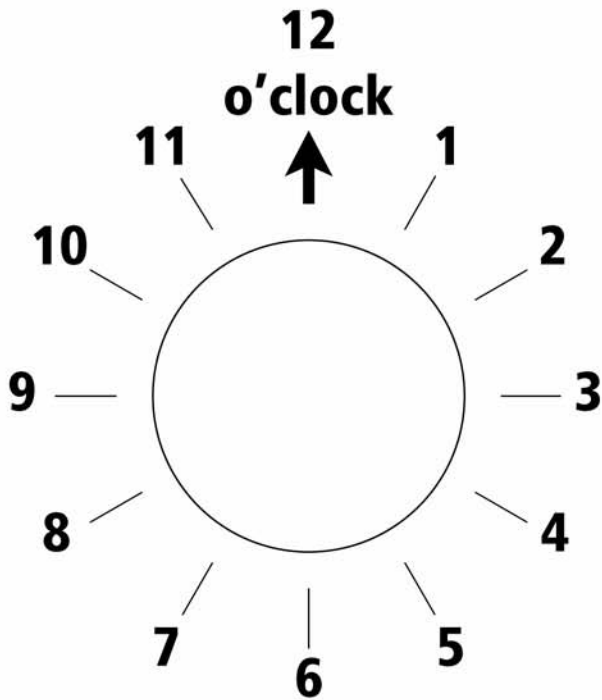
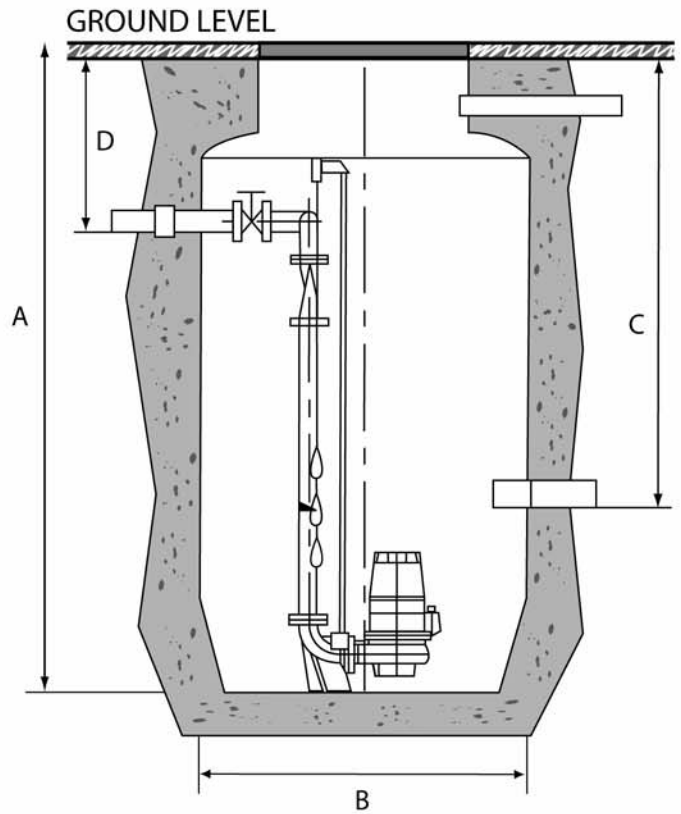


# PACKAGED PUMPING STATIONS

## CUSTOMERS SPECIFIC FABRICATION INSTRUCTIONS



View looking down on the tank.  
Treat this diagram like a clock.  
DISCHARGE is set at 12'o'clock -  
Indicate the relative positions of INLET/S  
and CABLE DUCT and VENT (if required).



ITEM	INDEX	DEPTH (mm)	DIAMETER (mm)	CLOCK FACE POSITION
Tank Depth	A			
Tank Diameter	B			
Inlet	C1			
Inlet	C2			
Inlet	C3			
Discharge	D			12
Cable Duct				
Vent				