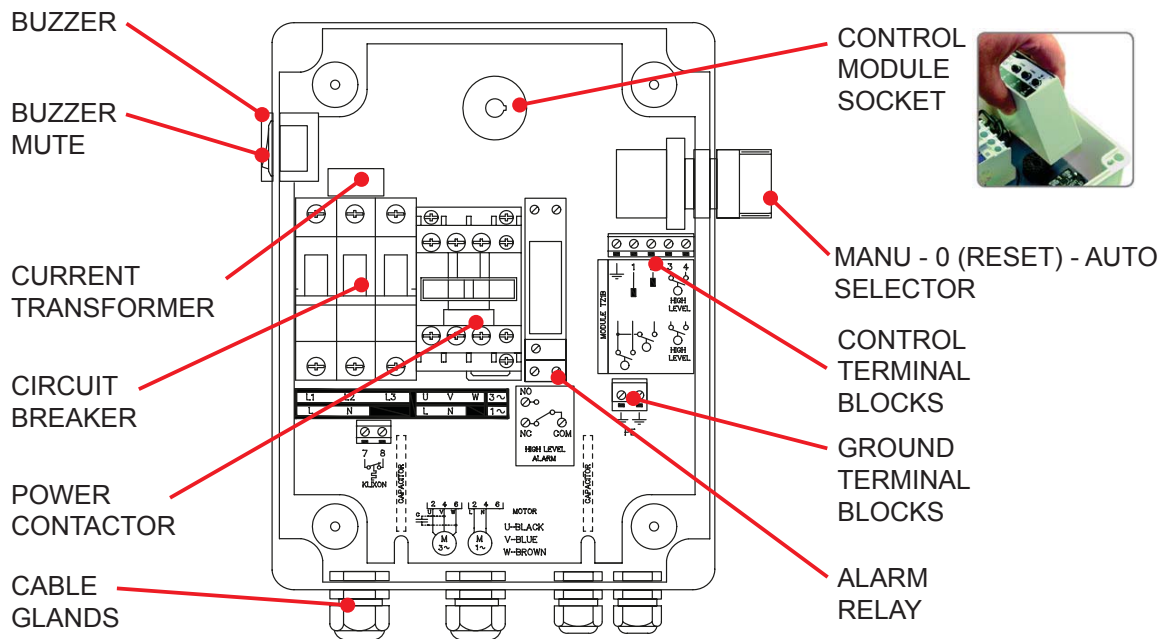


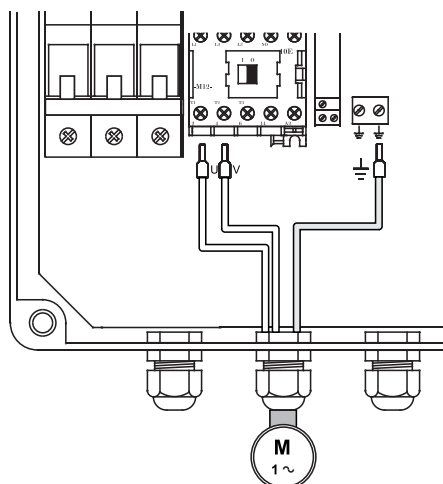
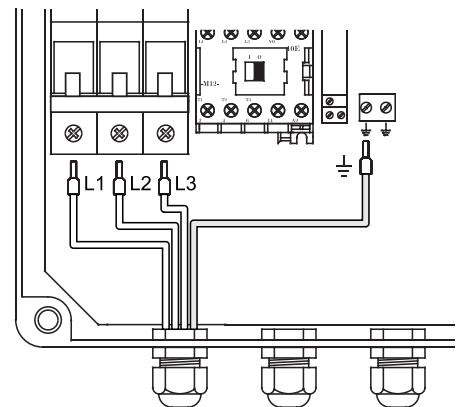
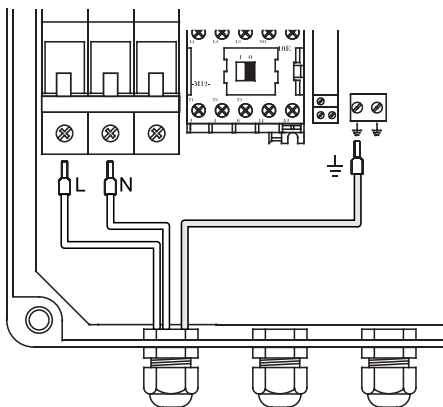
# quick start guide

vigilec zero drain

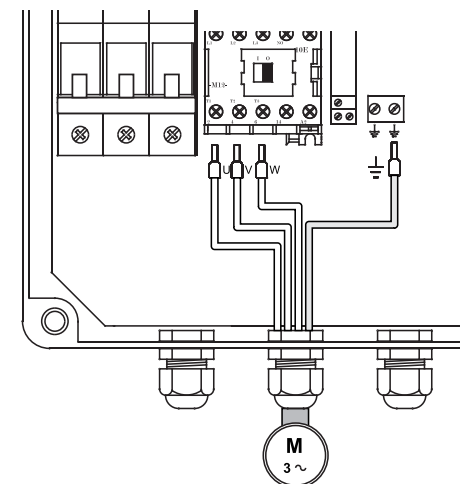
## internal configuration



## power connections



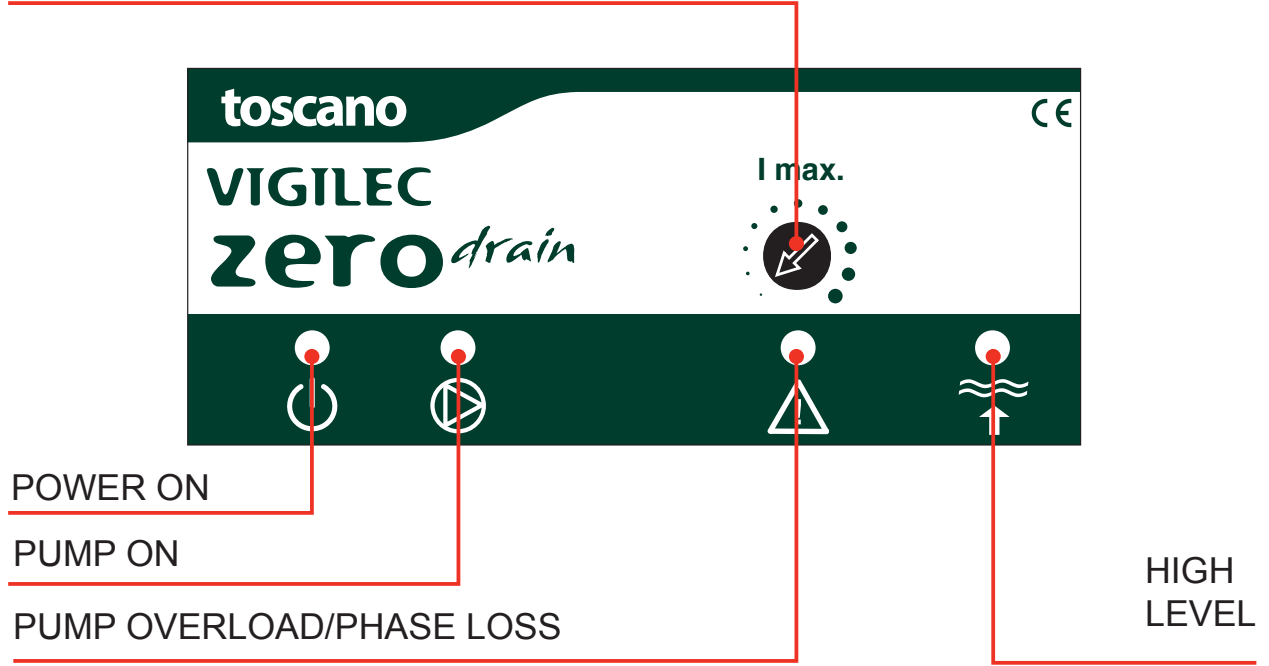
M  
1~



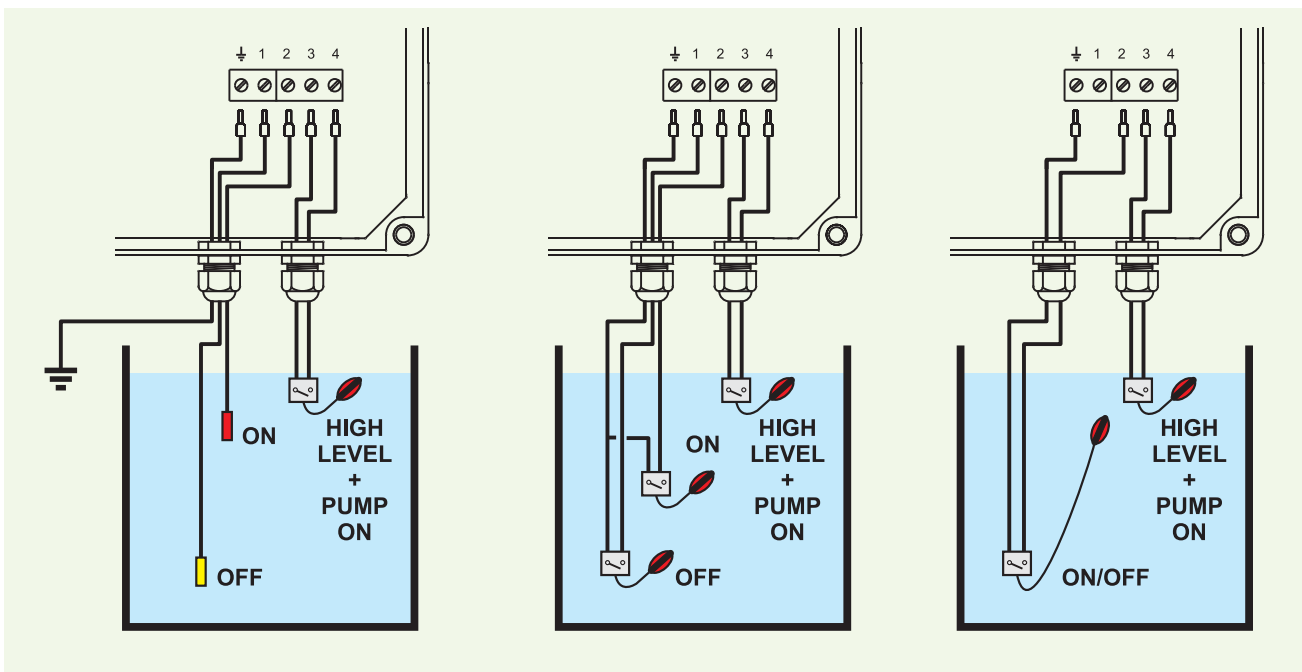
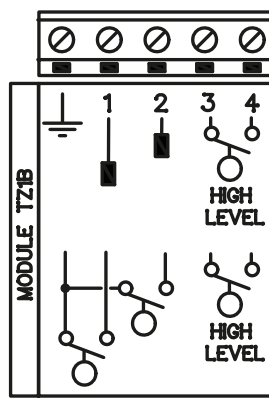
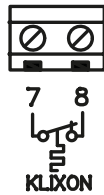
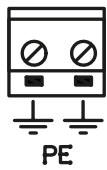
M  
3~

# control module

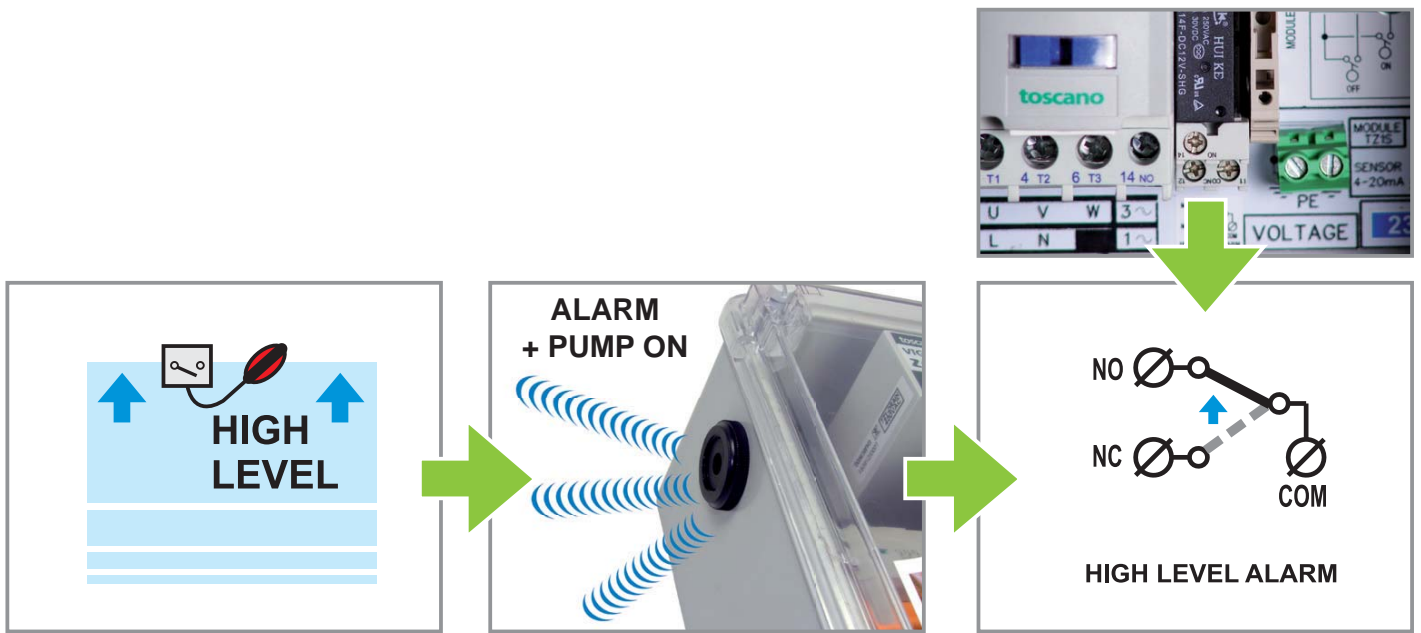
## OVERLOAD SETTING (I<sub>max.</sub>)



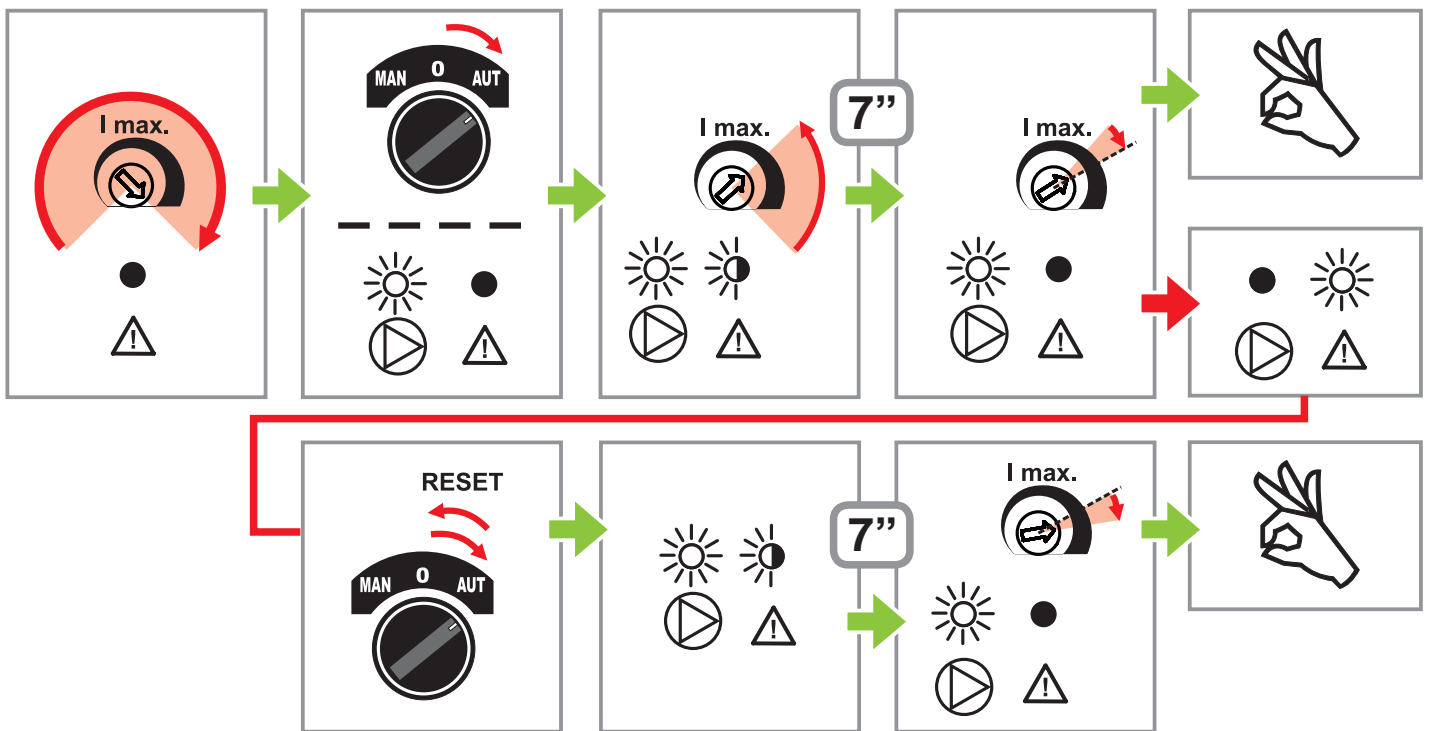
# control connections



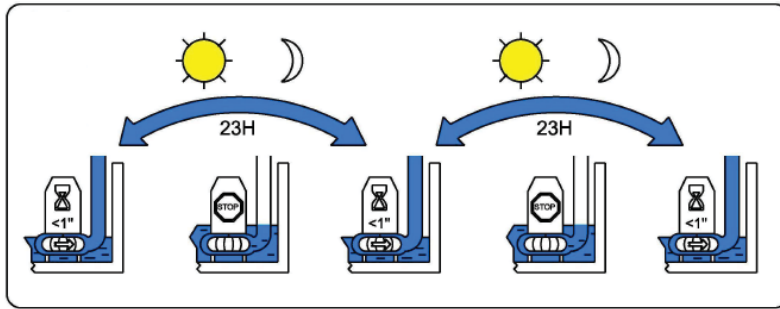
# control connections



# current adjustment



# anti-jamming protection system



## technical specifications

Supply voltage	230V~ I/III or 400V~ III (according to the model) -20% +30% - 50/60Hz
Pump maximum current	18A - AC3
Overload adjustment	1,5...18A (alarm trip in 7 sec.)
Control mode (ON and OFF levels)	Conductive probes or float switches
Control mode for High level	Float switch
Probes: Supply voltage/Sensitivity	24V~ / 9Kohm (protected against storms transients). Wire distance: 200m. max. Min. section 0,5mm <sup>2</sup>
Terminal blocks wiring size	10mm <sup>2</sup> (power) 4mm <sup>2</sup> (control).
Protections	Overload, Phase failure, Over-voltage, Pump wiring failure and Wrong control wiring
Alarm contact	10A - 250V~
Alarm contact activation	High level
Acoustic alarm sound level	90dB
Recording information (PUMPCHECK)	Module identification number, counters resets, pump running hours, pump starts, pump alarms and last alarm tripping current
Size/Weight/IP/Temperature	240 (height) x 190 (width) x 110 (depth) / 1820g / IP66 / -10 +55°C